

---

# CE機械 風險評估

## EN ISO 12100

---

**Date : July 25, 2013**  
**K. J. Certification Co. Ltd.**  
坤展國際安全驗證有限公司  
連絡人：林建廷 **BRIAN LIN**  
**MOBIL : 0920-327-728**  
**E-MAIL : brian@kjisc.com**  
**Web : www.kjisc.com**  
**SKYPE : BRIANLIN777**

# EN ISO 12100 RISK ASSESSMENT

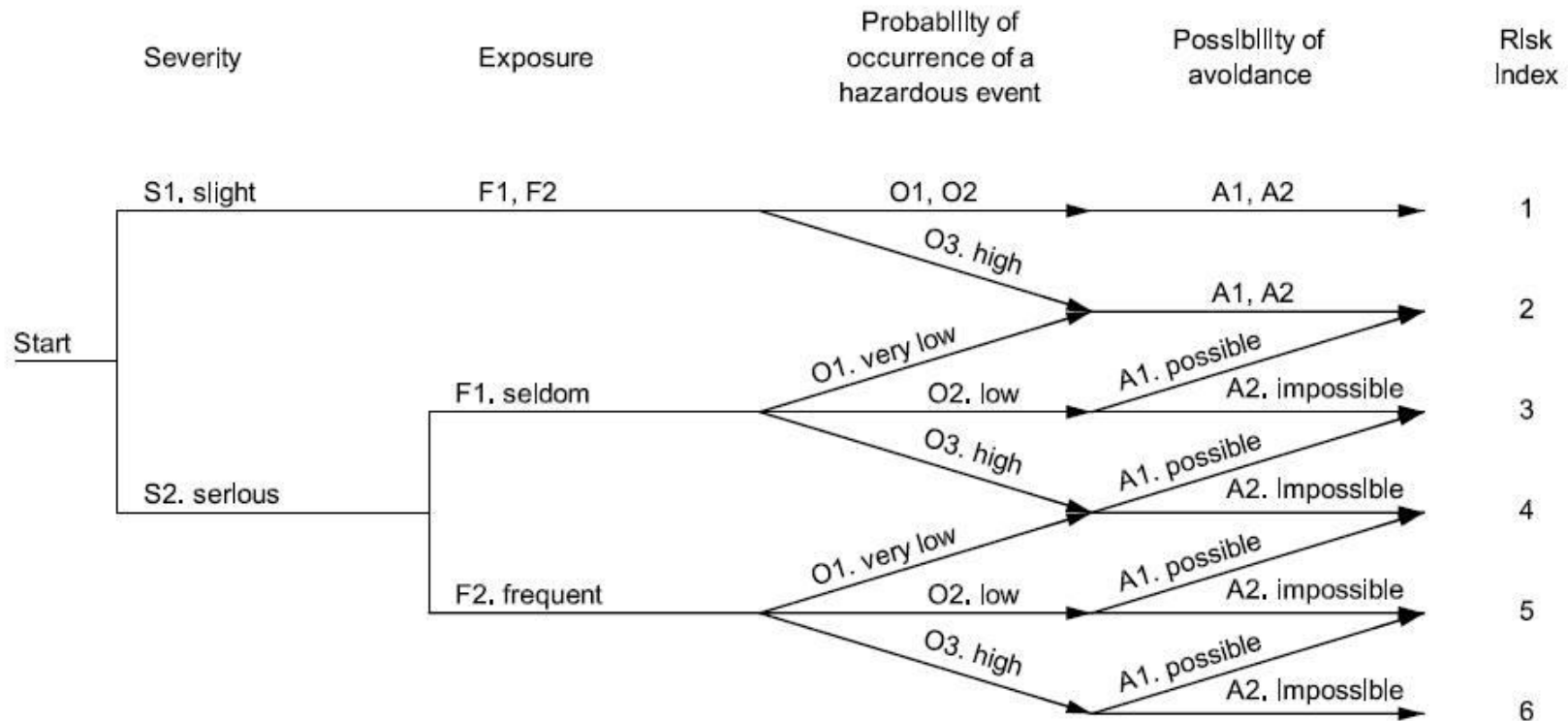
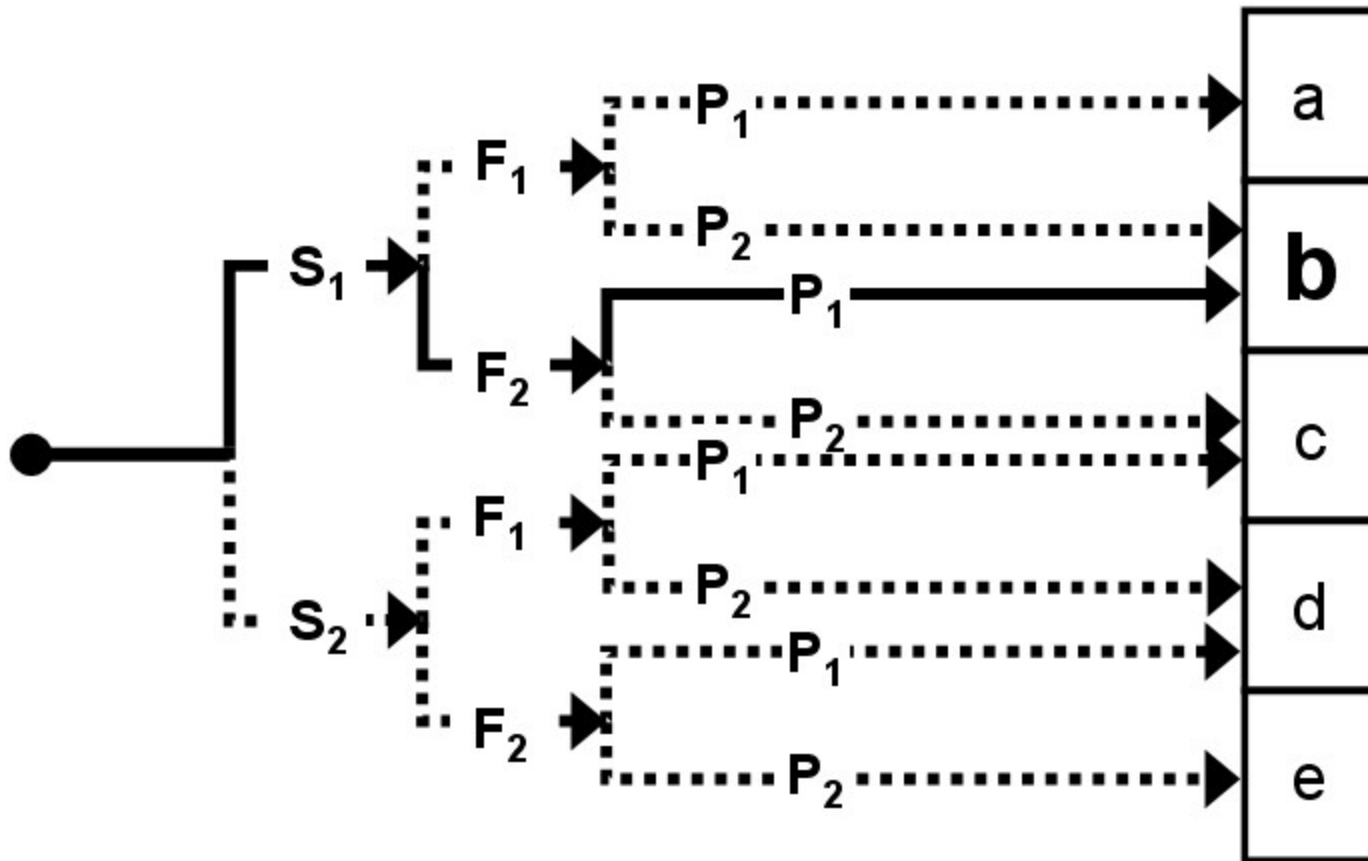


Figure A.3 — Risk graph for risk estimation

# EN ISO 13849-1

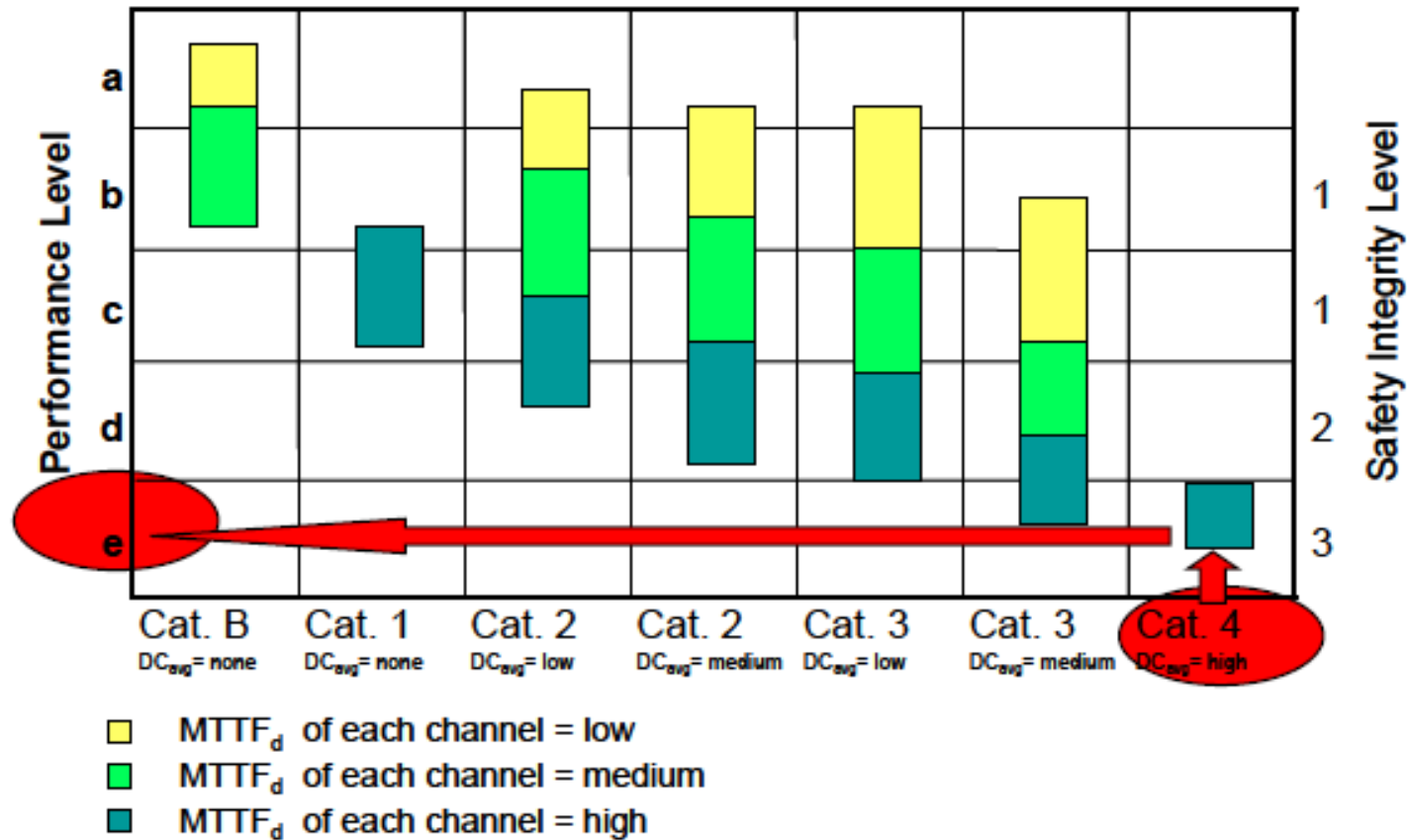


# EN ISO 13849-1

SEVERITY OF INJURY	FREQUENCY/EXPOSURE	POSSIBILITY TO AVOID	PLr / (Category*)
<b>S1</b> SLIGHT INJURY	<b>F1</b> – SELDOM TO LESS OFTEN AND/OR SHORT EXPOSURE	<b>P1</b> – POSSIBLE	<b>a / B</b>
		<b>P2</b> – SCARCELY POSSIBLE	<b>b / 1</b>
	<b>F2</b> – FREQUENT TO CONTINUOUS AND/OR LONG EXPOSURE	<b>P1</b> – POSSIBLE	
		<b>P2</b> – SCARCELY POSSIBLE	<b>c / 1 – (2)</b>
<b>S2</b> SERIOUS INJURY	<b>F1</b> – SELDOM TO LESS OFTEN AND/OR SHORT EXPOSURE	<b>P1</b> – POSSIBLE	<b>d / 2 – (3)</b>
		<b>P2</b> – SCARCELY POSSIBLE	
	<b>F2</b> – FREQUENT TO CONTINUOUS AND/OR LONG EXPOSURE	<b>P1</b> – POSSIBLE	<b>e / 4</b>
		<b>P2</b> – SCARCELY POSSIBLE	

# EN ISO 13849-1

- The MTTFd value for single components  
--- Mean time to dangerous failure



---



**THANKS**